

Company: _____

Customer no.: _____

Contact person: _____

Phone: _____

Address: _____

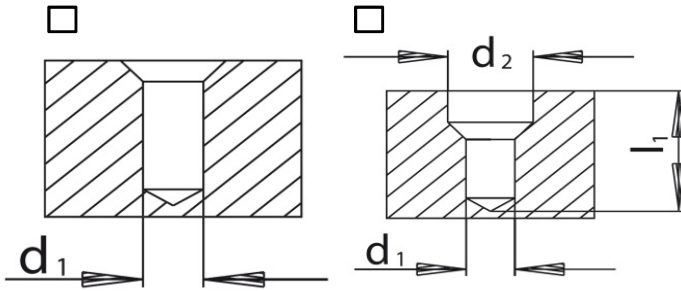
Fax: _____

Email: _____

Quantities: _____

Offer needed by: _____

Dimensions workpiece:



drilled hole $\varnothing D1 =$ _____ tol.: _____

drilled hole $\varnothing D2 =$ _____ tol.: _____

drilled hole depth = _____ tol.: _____

hole: through-hole blind hole

cutting direction: right left

kind of coolant: oil emulsion minimum lubrication dry

cooling: internal external other

shank: HA HB HE other

Material to be machined:

Material name: _____

Strength: _____

Hardness: _____

Surface: _____

Pre-drilled / pre-casted: _____

current tool: _____

reason for changing: _____

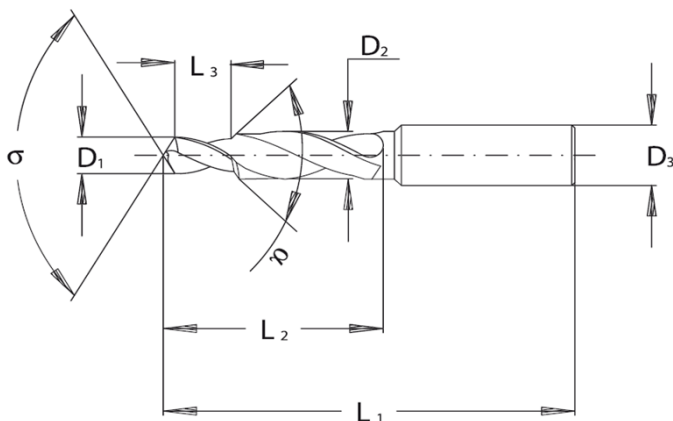
Vc: _____

feed: _____

machine: _____

chucking: _____

coating: _____



$D1 =$ _____ tol.: _____ $L1 =$ _____ tol.: _____

$D2 =$ _____ tol.: _____ $L2 =$ _____ tol.: _____

$D3 =$ _____ tol.: _____ $L3 =$ _____ tol.: _____

$\alpha =$ _____ tol.: _____ $\sigma =$ _____ tol.: _____

additional information: